

---

---

---

**GARDNER DENVER®**

15-515  
4<sup>th</sup> Edition  
APRIL, 2007

# **SINGLE ACTING TRIPLEX PUMP**

**MODEL**

**PZJ**

**9" STROKE**

**PARTS LIST**

**Gardner**  

---

**Denver**

**MAINTAIN PUMP RELIABILITY AND PERFORMANCE  
WITH GENUINE GARDNER DENVER®  
PARTS AND SUPPORT SERVICES**

Gardner Denver® genuine pump parts are manufactured to design tolerances and are developed for optimum dependability. Design and material innovations are the result of years of experience with hundreds of different pump applications. Reliability in materials and quality assurance are incorporated in our genuine replacement parts.

**Your authorized Gardner Denver distributor offers all the backup you'll need.** A worldwide network of authorized distributors provides the finest product support in the pump industry. Your local authorized distributor maintains a large inventory of genuine parts and he is backed up for emergency parts issues with access to Oklahoma City, OK. and the factory in Quincy, IL.

Your authorized distributor can support all your Gardner Denver pump needs.

Trained parts specialists are available to assist you in selecting the correct replacement parts.

**ALL ORDERS for PARTS should be placed with the NEAREST Authorized Distributor.**

To find your nearest distributor you may use one of the following choices:

- \* Log onto the Gardner Denver web site: [www.gardnerdenver.com](http://www.gardnerdenver.com)
- \* Send an E-Mail request to: [pumps@gardnerdenver.com](mailto:pumps@gardnerdenver.com)
- \* Contact one of our sales offices listed below.

**The Gardner Denver Sales Offices are located as follows:**

**DOMESTIC**

Gardner Denver  
2200 South Prospect  
Oklahoma City, OK. 73129

Phone: (405) 677-5736

Fax: (405) 677-5807

**INTERNATIONAL**

Gardner Denver  
1800 Gardner Expressway  
Quincy, IL 62301

Phone: (217) 222-5400

Fax: (217) 223-1581

**INSTRUCTIONS FOR ORDERING REPAIR PARTS:**

When ordering parts, specify Pump MODEL and SERIAL NUMBER (see nameplate on unit). The Serial Number is also stamped on top of the frame at the connecting end. (Between the cradle opening and the fluid cylinder)

**SPECIFY THE NUMBER OF PARTS REQUIRED, EXACTLY.**

**DO NOT ORDER BY SETS OR GROUPS.**

To determine the Right Hand and Left-Hand side of a pump, stand at the power end and look toward the fluid end. Right Hand and Left Hand are indicated in parenthesis following the part name, i.e. (RH) and (LH), when appropriate.

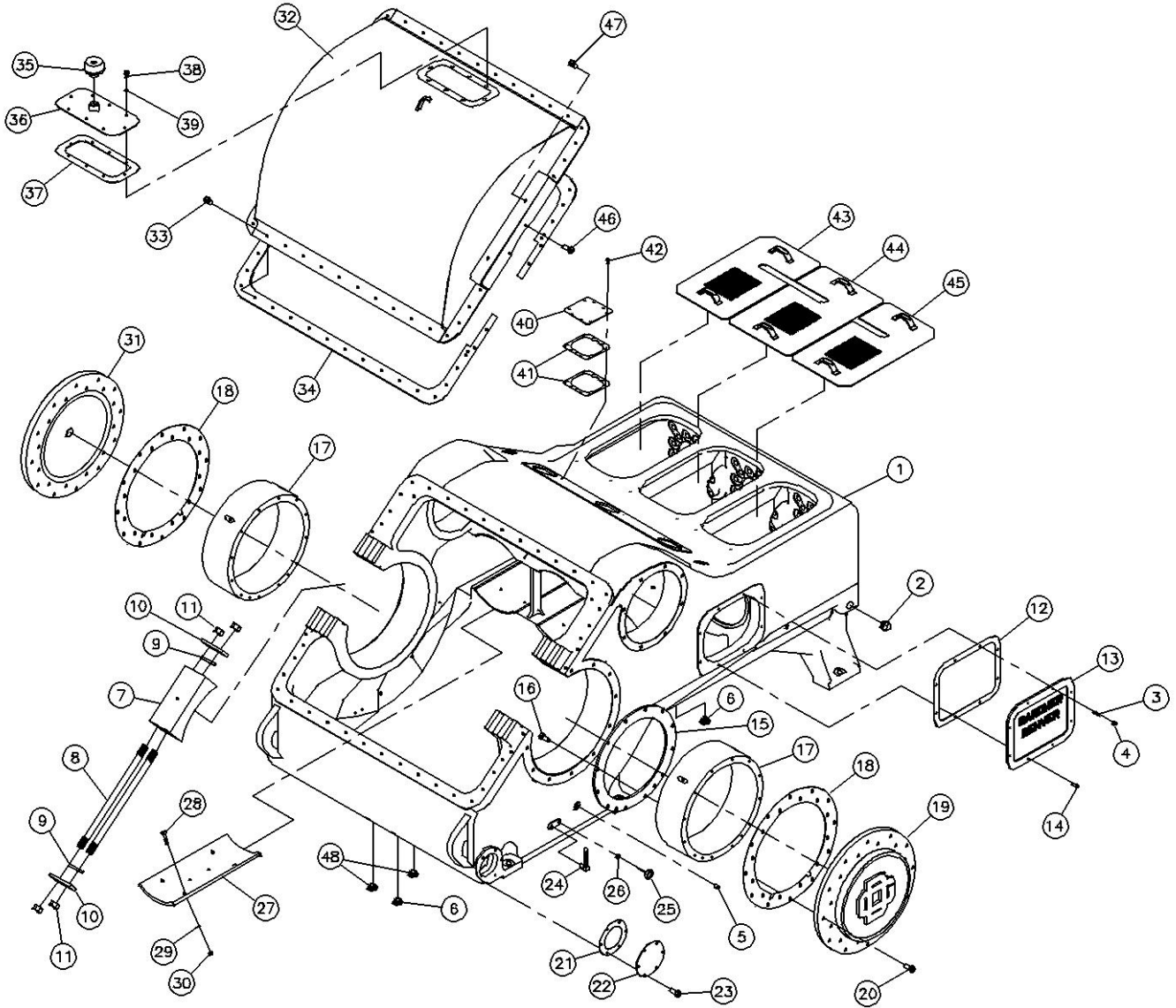
**For Operating and Service Instructions see:**

**SERVICE MANUAL 15-600**

## TABLE OF CONTENTS

Maintain Pump Reliability and Performance with Genuine Gardner Denver Parts and Support Services.....	i
Instructions for Ordering Repair Parts.....	i
Table of Contents .....	ii
Frame Group & Miscellaneous Parts .....	1 & 2
Drive Parts.....	3 & 4
General Service, 5000 PSI, Wide Body™ Fluid Cylinder & Manifolds .....	5 & 6
“Self Adjusting” Oil Stop Head Packing.....	7
Steel Fitted, Center Guided Valve (General Service)	
With Polyurethane Insert.....	8
With Carboxylated Insert.....	8
Piston Rod & Coupling for 5000 PSI (Wide Body™) .....	9 & 10
Piston & Liner for 5000 PSI (Wide Body™) .....	9 & 10
Internal Oil Lubrication Piping .....	11 & 12
Sump Oil Filter.....	13
Sump Oil Circulating Pump .....	14
Piston Rod Wash Piping – 5000 PSI.....	15 & 16
Piston Rod Wash Pump .....	17
Heat Exchanger Group (Optional Equipment) .....	18
Valve Seat Puller (Optional Equipment).....	19
Optional Equipment.....	20

# FRAME & MISCELLANEOUS PARTS



Ref Drawing – 207PZL797

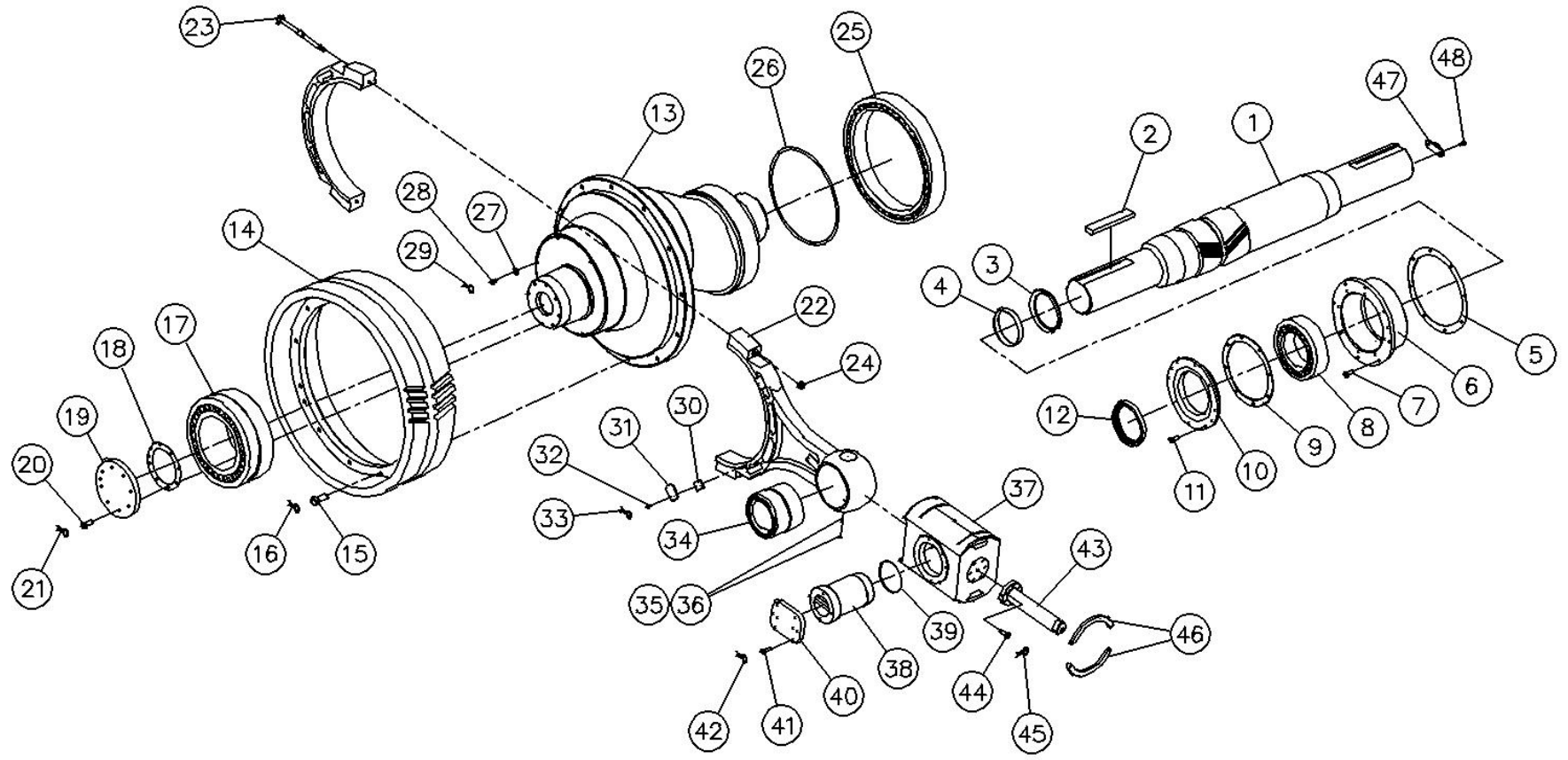
FOR LIST OF PARTS SEE PAGE 2

Order by Part Number and Description. Reference Numbers for your convenience only.

**FRAME & MISCELLANEOUS PARTS**

Ref.No.	Name of Part	Qty.	Part No.
	FRAME ASM, Includes Reference Numbers 2 thru 12	1	PZ172A
1	FRAME .....	1	PZ172
2	PLUG, Cradle Drain .....	1	64A9
3	STUD, Crosshead Inspection Plate .....	2	79A238
4	NUT, Crosshead Inspection Plate .....	2	50B5
5	PLUG .....	2	64A5
6	PLUG-MAGNETIC, Sump Oil Drain .....	3	66D13
7	SPACER, Eccentric Bearing .....	2	PZ960
8	STUD, Spacer to Frame .....	4	PZ872
9	KEY, Spacer to Frame .....	4	35C24
10	PLATE, Spacer to Frame .....	4	PZ1128
11	NUT, Spacer to Frame Stud .....	8	50B37
12	GASKET, Crosshead Inspection Plate .....	2	PZ715
13	PLATE-INSPECTION, Crosshead .....	2	1PZ723
14	SCREW, Crosshead Inspection Plate .....	10	655EE060
15	PLATE-RETAINER .....	1	200PZJ253
16	SCREW, Bearing Retainer Plate .....	12	655EG050
17	HOUSING-BEARING, Eccentric .....	2	PZ1280
18	GASKET, Bearing Cover Plate .....	2	1PZ715N
19	PLATE-BEARING COVER (Rigid Side) .....	1	PZ196
20	SCREW, Bearing Cover Plate .....	48	655EG070
21	GASKET, Inspection Plate .....	2	25C1788N
22	PLATE-INSPECTION .....	1	202FXT052
23	SCREW, Inspection Plate .....	6	655EF050
24	GAUGE, Oil Level Sight .....	1	40L17
25	GAUGE, Oil Temperature .....	1	27H11
26	BUSHING-PIPE .....	1	64E2
27	SLIDE-CROSSHEAD .....	6	PZ222
28	SCREW, Crosshead Slide to Frame .....	24	75LM275
29	SEAL-FASTENER .....	12	60DD36
30	LOCKNUT .....	24	50V41
31	PLATE-BEARING COVER (Floating Side) .....	1	1PZ196
32	HOOD, Eccentric .....	1	PZ246
33	SCREW, Hood to Frame .....	30	655EF050
34	GASKET, Hood .....	1	2PZ715
35	BREATHER .....	1	5C24
36	PLATE, Inspection .....	1	KXG842
37	GASKET, Inspection Plate .....	1	25C1818
38	SCREW, Inspection Plate .....	8	655EF040
39	GASKET, Inspection Plate Screw .....	8	25F13
40	PLATE-INSPECTION .....	3	206PZL052
41	GASKET, Inspection Plate .....	6	25C1839
42	SCREW, Inspection Plate .....	24	655ED040
43	COVER, Left Side Cradle Area .....	1	2006929
44	COVER, Middle Cradle Area .....	1	PZ842
45	COVER, Right Side Cradle Area .....	1	1PZ842
46	SCREW, Hood to Spacer .....	4	655EF07
47	Not Used on This Hood		
48	PLUG, Sump .....	2	64A27
	PLUG (Opposite Side of Items 24, 25 & 26) (Not Shown) .....	2	64AA7

# DRIVE PARTS



15-515 Page 3

Ref Drawing – 310PZJ797

FOR LIST OF PARTS SEE PAGE 4

Order by Part Number and Description. Reference Numbers for your convenience only.

DRIVE PARTS

Ref. No.	Name of Part	Qty.	Part No.	Ref. No.	Name of Part	Qty.	Part No.
1	JACKSHAFT .....	1	1PZ371	25	BEARING, Connecting Rod to Eccentric .....	3	12W84
2	KEY-JACKSHAFT .....	1	35B380	26	RING-RETAINING, Connecting Rod Bearing.....	1	2009808
3	SPACER, Jackshaft Bearing .....	2	PZ649	27	PLATE-RETAINING, Bearing to Eccentric .....	14	1PZ1400
4	SLEAVE-WEAR.....	2	80L3	28	SCREW, Bearing to Eccentric .....	14	655EF05D
5	GASKET, Bearing Housing to Frame.....	2	25C2377	29	WIRE .....	384"	97A29
6	HOUSING-BEARING .....	2	PZ368	30	PLATE-RETAINING, Bearing to Connecting Rod	22	PZ1400
7	SCREW, Bearing Housing.....	16	75A52	31	PLATE-RETAINING, Bearing to Connecting Rod	2	203PZL253
8	BEARING-ROLLER, Jackshaft .....	2	12W60	32	SCREW, Bearing to Connecting Rod .....	48	75B41
9	GASKET, Retainer Plate to Bearing Housing .	2	25C2692	33	WIRE.....	288"	97A29
10	PLATE, Bearing Retainer .....	2	PZ370	34	BEARING-ROLLER, Crosshead Pin.....	3	12AM3
11	SCREW, Retainer Plate to Bearing Housing...	16	655EF060	35	PIN-LOCK .....	3	PZ838
12	SEAL-OIL.....	2	60G242	36	SET SCREW.....	3	76F10
13	ECCENTRIC.....	1	2013705	37	CROSSHEAD .....	3	200PZJ005
14	GEAR-DRIVEN.....	1	1PZ180	38	PIN-CROSSHEAD .....	3	PZ189
15	SCREW, Gear to Eccentric .....	12	75B150	39	RING-RETAINER, Bearing .....	3	16AUX203
16	WIRE .....	144"	97A29	40	PLATE-RETAINER, Crosshead Pin.....	3	201PZJ168
17	BEARING-ROLLER, Eccentric.....	2	12GF36	41	SCREW, Crosshead Pin Retainer Plate .....	18	75AG17
18	SHIM (.062") .....	1	77C55	42	WIRE .....	72"	97A29
19	PLATE-RETAINER, Eccentric Bearing .....	2	PZ1206	43	ROD-EXTENSION .....	3	301PZJ839
20	SCREW, Retainer to Eccentric.....	12	75B28	44	SCREW, Rod to Crosshead.....	18	PV701
21	WIRE .....	48"	97A29	45	WIRE .....	72"	97A29
22	CONNECTING ROD .....	3	PZ417	46	PLATE-RETAINER, Oil Stop Head to Frame .....	6	200PZJ168
	Includes Ref. Numbers. 23 & 24 .....			47	ADAPTOR, for Manually Rotating Jackshaft .....	1	2PO1398
23	BOLT-CONNECTING ROD.....	6	PZ890	48	SCREW, Adapter to Jackshaft.....	2	655EF050
24	NUT, Connecting Rod Bolt .....	6	50B34				

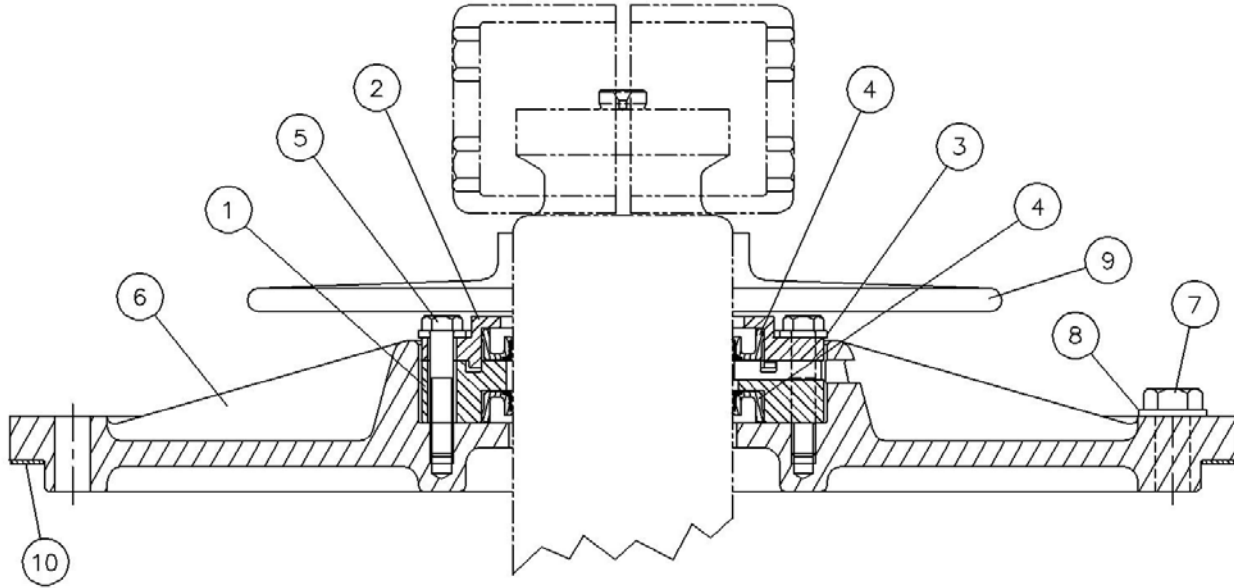


Order by Part Number and Description. Reference Numbers for your convenience only.

**FLUID CYLINDER & MANIFOLDS – 5000 PSI**

Ref. No.	Name of Part	Qty.	Part No.
	FLUID CYLINDER ASSEMBLY (Includes Reference Numbers 1 thru 5)	3	201PZL2039
1	CYLINDER-FLUID, 5000 PSI.....	3	205PZL029
2	STUD, Cylinder to Frame (Long).....	24	79L188
3	STUD, Cylinder to Frame (Short).....	12	79L73
4	STUD, Valve Cover Ring to Cylinder.....	48	79AL6
5	STUD, Cylinder to Discharge Manifold.....	12	202PZL110
6	NUT, Cylinder to Frame Stud.....	48	50B36
7	NUT, Liner Clamp.....	12	50AQ30
8	NUT, Valve Cover Ring to Cylinder Stud.....	48	50B34
9	NUT, Cylinder to Discharge Manifold Stud.....	12	50B34
10	RING-RETAINER, Valve Cover Gasket.....	6	2011861
11	RING-VALVE COVER.....	6	2011699
12	GASKET, Valve Cover.....	6	300PZJ715
13	BUSHING, Suction Valve Guide.....	9	2007674
14	COVER-VALVE.....	6	2011860
15	LOCK-COVER.....	6	300PZG587
	VALVE GUIDE ASSEMBLY, Includes Reference Numbers 13, 16, 17, 18 & 19.....	3	2011706
16	PLATE-RETAINER.....	3	2011701
17	GUIDE-VALVE, Suction.....	3	2011700
18	SCREW, Valve Guide to Retainer Plate.....	6	655EE06S
19	WASHER-LOCK.....	6	95W2
20	MANIFOLD-SUCTION.....	1	200PZJ069
21	GASKET, Suction Manifold to Cylinder.....	3	25BE41
22	SCREW, Suction Manifold to Cylinder.....	24	655EG08N
23	GASKET, Suction Manifold Flange.....	1	25C1154N
24	FLANGE, Suction - Weldneck.....	1	64CU12
25	SCREW, Suction Flange to Manifold.....	12	75A150
26	NUT, Suction Flange to Manifold.....	12	50B9
27	MANIFOLD-DISCHARGE.....	1	200PZJ071
28	GASKET, Discharge Manifold to Cylinder.....	3	25AL35
29	STUD, Discharge Manifold to Discharge Flange.....	16	209PZL110
30	NUT, Discharge Manifold to Discharge Flange.....	32	50AW11
31	GASKET, Discharge Manifold Flange.....	2	25V24
32	FLANGE, Discharge - Weldneck.....	1	64EB15
33	FLANGE, Discharge, Blind.....	1	64EB240
34	BOLT-EYE.....	6	15P5

Order by Part Number and Description. Reference Numbers for your convenience only.

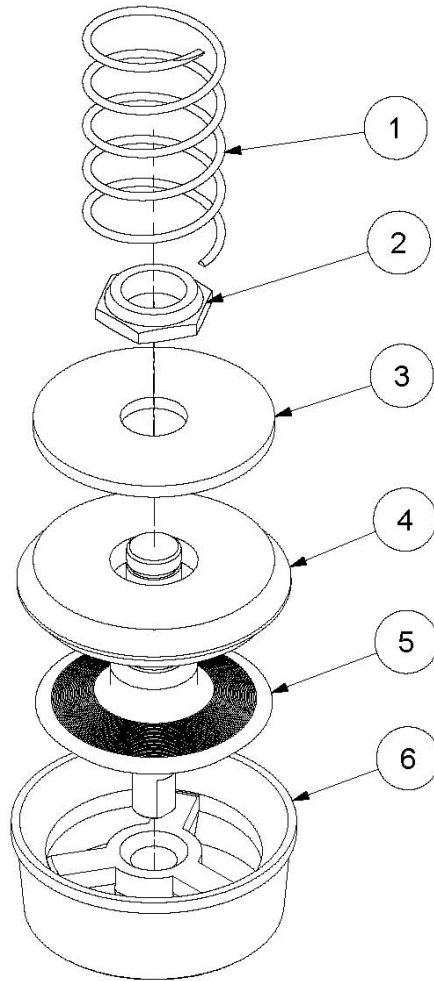


Ref Drawing – 319PZL810

**“SELF ADJUSTING” OIL STOP HEAD PACKING ASSEMBLY**

Ref. No.	Name of Part	Qty.	Part No.
	OIL STOP HEAD PACKING ASSEMBLY (Includes 1 thru 5)	3	301PZL4073
1	SEAL HOUSING – OIL STOP HEAD .....	1	300PZL362
2	SEAL HOUSING – OIL STOP HEAD .....	1	301PZL362
3	RETAINING PLATE – OIL STOP HEAD HOUSING .....	1	300PZL168
4	SEAL , Oil .....	2	2011872
5	SCREW .....	6	655ED08S
6	OIL STOP HEAD with WEEP HOLE .....	3	300PZJ051
7	SCREW.....	22	655EE080
8	SEAL-FASTENER .....	24	25F9
9	BAFFLE .....	3	PZ840
10	GASKET .....	3	25C2693

Order by Part Number and Description. Reference Numbers for your convenience only.



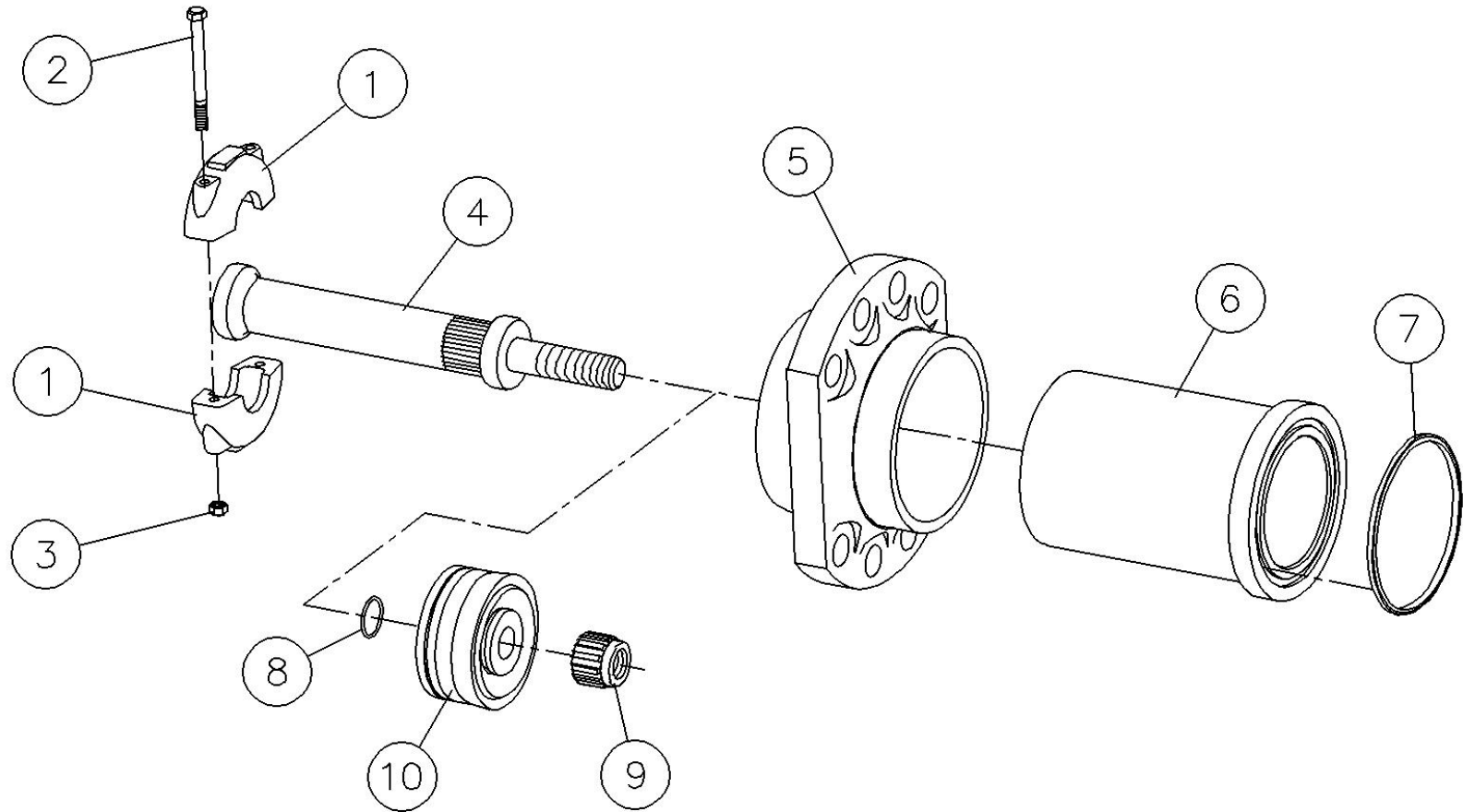
Ref Drawing – 327PZL810

**STEM GUIDED VALVE – STEEL FITTED  
(General Service– 5000 PSI)**

Ref. No.	Name of Part	Qty.	Part No.
<b>WITH POLYURETHANE INSERT</b>			
	FLUID VALVE ASSEMBLY.....	6	202PZL482A
1	SPRING, Valve .....	6	78H44
2	LOCKNUT, Valve .....	6	50V27
3	WASHER, Valve .....	6	201PZL279
4	INSERT, Valve (Polyurethane).....	6	201PZL106
5	VALVE-FLUID.....	6	202PZL482
6	SEAT-VALVE.....	6	202PZL039

Ref. No.	Name of Part	Qty.	Part No.
<b>WITH CARBOXYLATED NITRILE INSERT</b>			
	FLUID VALVE ASSEMBLY.....	6	202PZL482B
1	SPRING, Valve .....	6	78H44
2	LOCKNUT, Valve .....	6	50V27
3	WASHER, Valve .....	6	201PZL279
4	INSERT, Valve (Carboxylated Nitrile).....	6	202PZL106
5	VALVE-FLUID.....	6	202PZL482
6	SEAT-VALVE.....	6	202PZL039

**PISTON & LINER ASSEMBLY**



Order by Part Number and Description. Reference Numbers for your convenience only.

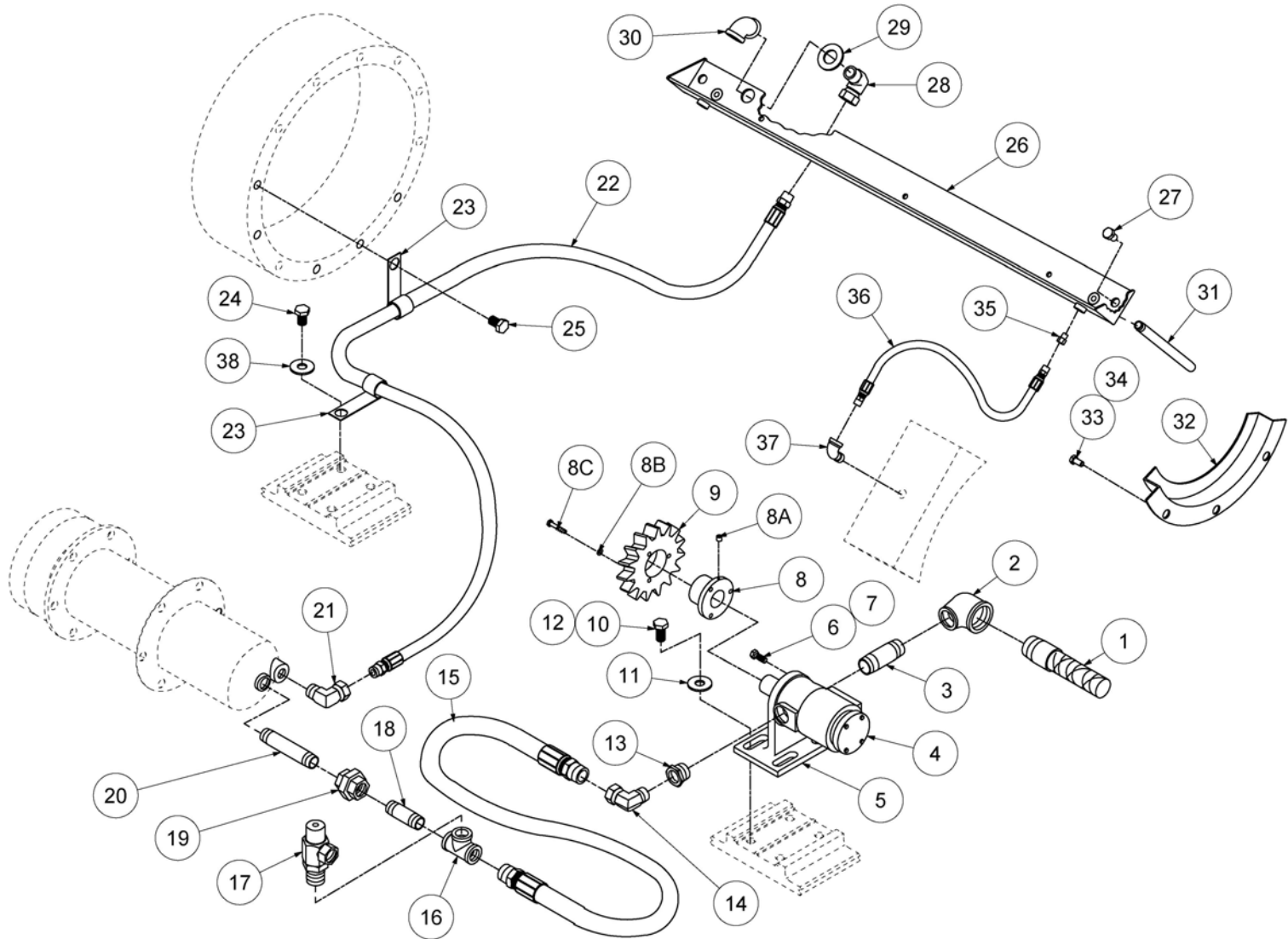
**PISTON ROD & COUPLING  
(General Service – 5000 PSI)**

Ref. No.	Name of Part	Quantity	Part No.
	PLUNGER COUPLING ASSEMBLY	3	200PZJ4065
	Includes Ref. Numbers 1 Thru 4 .....		
1	COUPLING, Plunger .....	6	200PZJ092
2	SCREW, Coupling.....	6	655EE22S
3	LOCKNUT .....	6	50AW35
4	ROD-PISTON.....	3	1PZ183
5	CLAMP, Liner .....	3	1PV14
6	LINER-FLUID .....	3	See Table Below
7	GASKET, Liner.....	3	25AT37
8	O-RING .....	3	25AH1
9	NUT-LOCK.....	3	50V14
10	PISTON .....	3	See Table Below
*	WRENCH .....	1	99L11

**STANDARD PISTONS & LINERS**

Ref. No.	Name of Part	Qty.	7.00" Part No.	6.50" Part No.	6.25" Part No.	6.00" Part No.	5.50" Part No.	5.00" Part No.	4.50" Part No.	4.00" Part No.
6	LINER-FLUID.....	3	207PZJ456	200PZJ456	201PZJ456	202PZJ456	203PZJ456	204PZJ456	205PZJ456	206PZJ456
10A	PISTON, 1 piece composite (STD).....	3	325PZL350	324PZL350	323PZL350	322PZL350	321PZL350	320PZL350	319PZL350	318PZL350
10B	PISTON, High Temperature (BLUE)...	3	316PZL350	315PZL350	314PZL350	313PZL350	312PZL350	311PZL350	310PZL350	309PZL350
10C	PISTON, Water Service (Rubber).....	3	202TBL045A	201TBL045A	200TBL045A	245TBB045A	243TBB045A	241TBB045A	239TBB045A	231TBK045A

# INTERNAL OIL LUBRICATION PIPING



15-515 Page 11

Ref Drawing – 311PZJ797

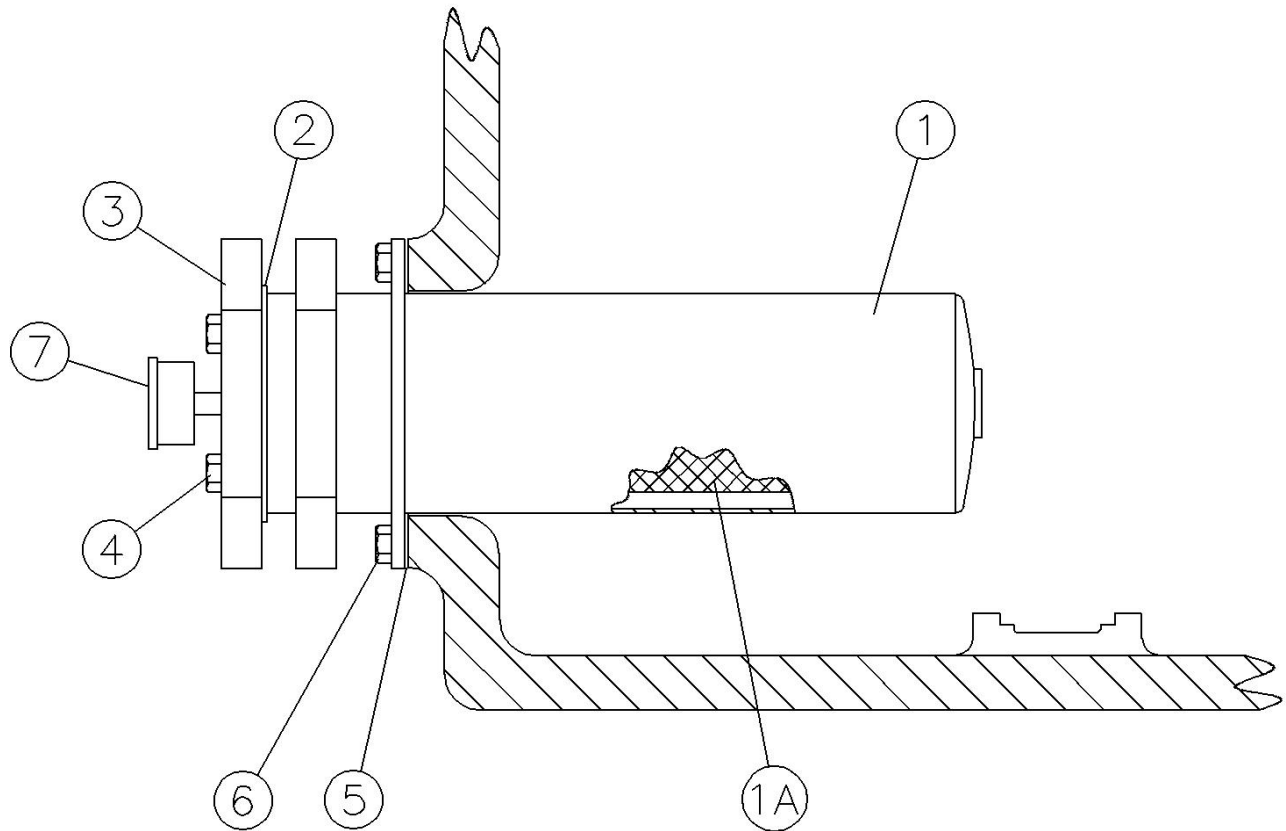
FOR LIST OF PARTS SEE PAGE 12

Order by Part Number and Description. Reference Numbers for your convenience only.

INTERNAL OIL LUBRICATION PIPING

Ref No.	Name of Part	Qty.	Part No.	Ref No.	Name of Part	Qty.	Part No.
1	SCREEN-OIL .....	1	3WAJ511	19	UNION.....	1	64Z10
2	ELBOW-PIPE .....	1	64S12	20	NIPPLE-PIPE .....	1	63U12X50
3	NIPPLE-PIPE .....	1	63H10	21	ADAPTOR.....	1	29Q17
4	PUMP-OIL .....	1	46C21	22	HOSE ASSEMBLY .....	1	29Z5
5	BRACKET, Oil Pump Mounting.....	1	PZ1398	23	CLAMP, Hose.....	2	PZ1301
6	SCREW, Bracket to Oil Pump .....	6	655ED04D	24	SCREW .....	1	655EF040
7	WIRE, Bracket to Oil Pump .....	1FT	97A29	25	SCREW, Hose Clamp to Bearing Housing.....	1	655EG04N
8	BUSHING, Gear (Includes 8A, B & C).....	1	22F12SD	26	TROUGH, Oil Feed .....	1	2PZ1254
8A	SET SCREW .....	1		27	SCREW, Trough to Frame .....	2	655EF040
8B	WASHER-LOCK.....	3		28	ADAPTOR.....	1	29Q17
8C	SCREW, Bushing .....	3		29	WASHER .....	3	95F10
9	GEAR, Oil Pump .....	1	2013884	30	ELBOW-PIPE .....	1	64C5
10	SCREW, Bracket to Frame.....	4	655EF05D	31	NIPPLE-PIPE, Oil Feed to Jackshaft Trough .	2	63AJ6X144
11	WASHER.....	4	95U7	32	TROUGH, Jackshaft Oil .....	2	PZ1254
12	WIRE, Bracket to Frame.....	2FT	97A29	33	SCREW .....	6	655EF04D
13	BUSHING-PIPE.....	1	64E16	34	WIRE, Through to Bearing Housing .....	8FT	97A29
14	ADAPTOR .....	1	29Q17	35	ADAPTOR.....	2	29Q54
15	HOSE ASSEMBLY .....	1	29N1	36	HOSE ASSEMBLY .....	2	29Z99
16	TEE-PIPE .....	1	64G7	37	ELBOW-STREET .....	2	64D4
17	PRESSURE RELIEF VALVE.....	1	90Q22	38	WASHER .....	1	95A7
18	NIPPLE-PIPE .....	1	63U12X34				

Order by Part Number and Description. Reference Numbers for your convenience only.

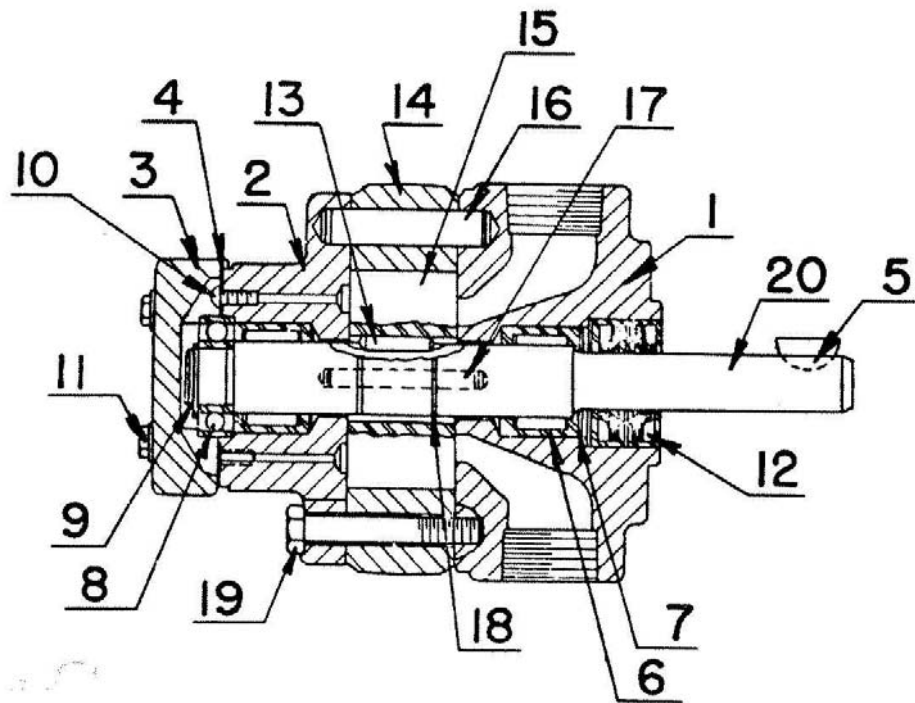


Ref Drawing - 323PZL810

### OIL FILTER

Ref. No.	Name of Part	Qty.	Part No.
1	OIL FILTER ASSEMBLY, Includes Reference Nos. 1A thru 4	1	26C18
1A	ELEMENT ASSEMBLY, Includes Reference No. 3 .....	1	5E30
2	GASKET .....	1	2109771
3	COVER .....	1	2109770
4	SCREW .....	4	75A54
5	GASKET, Filter to Frame.....	1	25C1788N
6	SCREW, Hex Cap, Filter to Frame.....	6	655EF050
7	GAUGE, Oil Pressure (80 psi).....	1	27P253

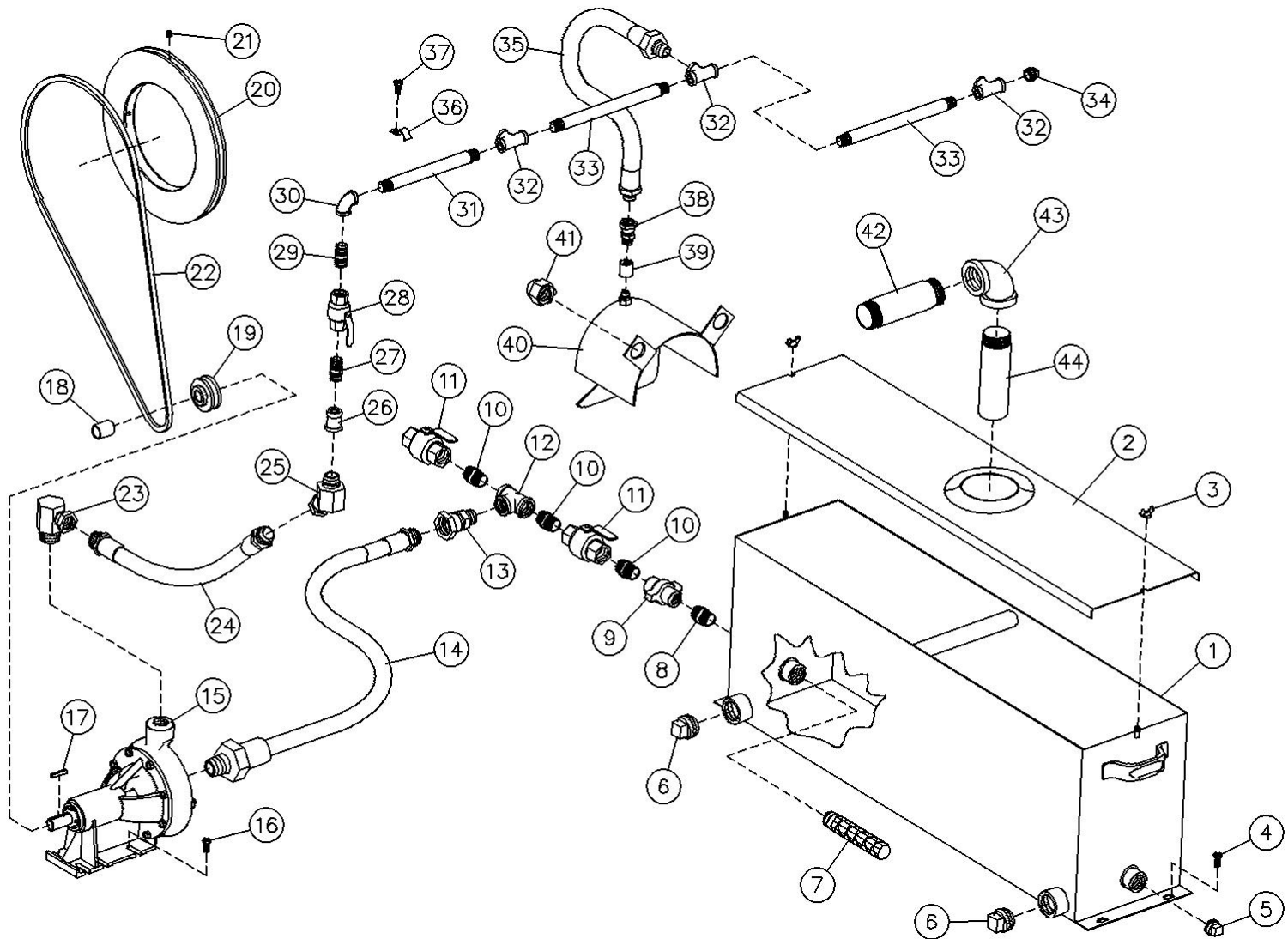
Order by Part Number and Description. Reference Numbers for your convenience only.



SUMP OIL CIRCULATING PUMP

Ref. No.	Name of Part	Qty.	Part No.
	OIL PUMP ASSEMBLY .....	1	46C21
1	BODY .....	1	----
2	HEAD .....	1	----
3	COVER .....	1	----
4	GASKET .....	1	2010024
5	KEY, Drive .....	1	----
6	BEARING, Shaft .....	2	2010025
7	RING, Snap .....	1	----
8	BEARING, Thrust .....	1	2010026
9	RING, Snap .....	1	----
10	SCREW .....	2	----
11	SCREW .....	4	----
12	SEAL.....	1	2010027
13	KEY, Rotor.....	1	----
14	RING, Eccentric.....	1	----
15	ROTOR SET.....	1	2010208
16	PIN, Eccentric.....	2	----
17	PIN, Locating .....	1	----
18	RETAINER.....	2	----
19	SCREW .....	8	----
20	SHAFT, Standard .....	1	----

PISTON ROD WASH PIPING – 5000 PSI



15-515 Page 15

Rer Drawing – 325PZL810

**FOR LIST OF PARTS SEE PAGE 16**  
**Order by Part Number and Description. Reference Numbers for your convenience only.**

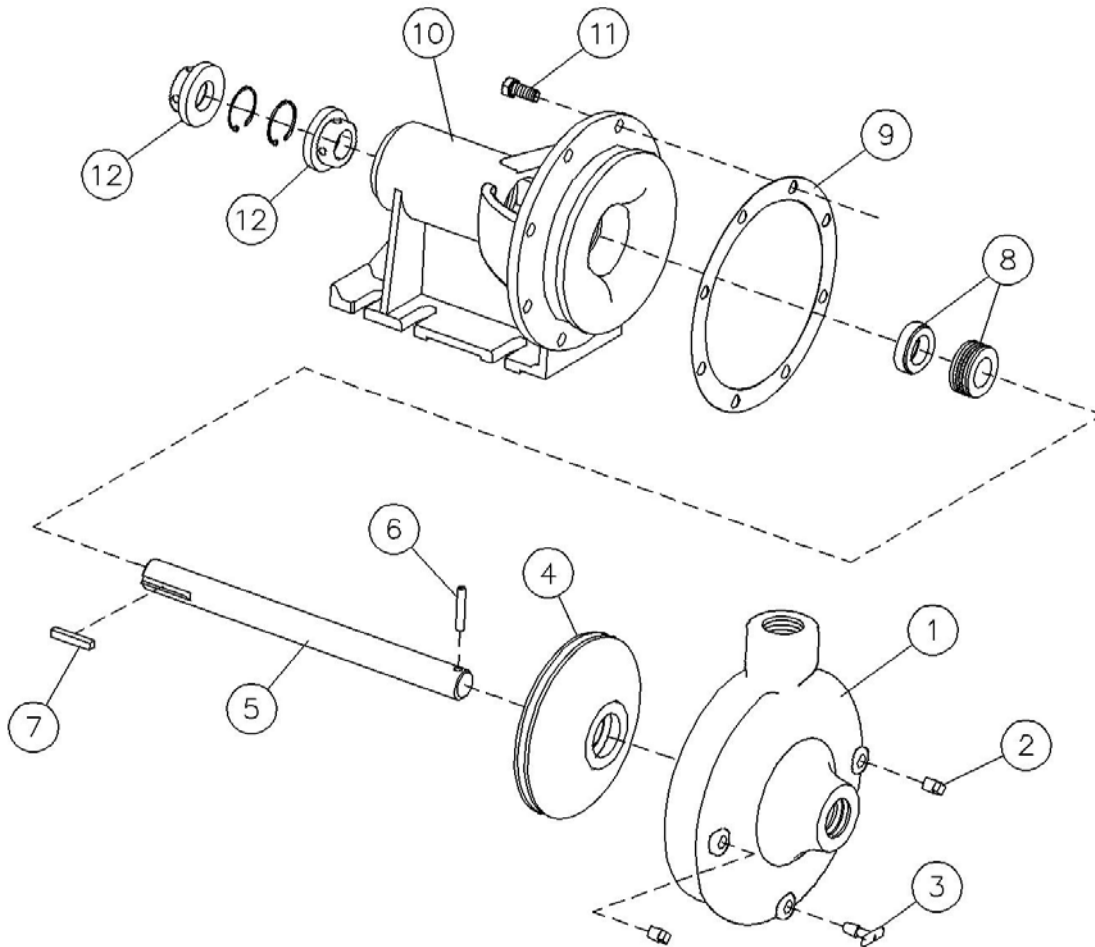
**PISTON ROD WASH PIPING**  
**(General Service – 5000 PSI)**

15-515 Page 16

Ref No.	Name of Part	Qty.	Part No.	Ref No.	Name of Part	Qty.	Part No.
1	TANK, Rod Wash Recovery.....	1	2012639	23	ADAPTOR-HOSE .....	1	29Q10
2	COVER, Rod Wash Tank.....	1	2012655	24	HYDRAULIC HOSE ASSEMBLY.....	1	2009247
3	NUT-WING .....	2	50H1	25	ADAPTOR-HOSE .....	1	29Q27
4	SCREW, Rod Wash Tank to Skid .....	4	75LM268	26	REDUCER-PIPE.....	1	64N3
5	PLUG-PIPE .....	1	64A6	27	NIPPLE-PIPE.....	1	63G1
6	PLUG-PIPE .....	2	64A7	28	VALVE, Ball .....	1	90A35
7	SCREEN-OIL .....	1	2WAJ511	29	NIPPLE-PIPE.....	1	63G1
8	NIPPLE-PIPE .....	1	63H25	30	ELBOW-PIPE .....	1	64C5
9	UNION-HAMMER.....	1	64EB1	31	NIPPLE-PIPE.....	1	63G9
10	NIPPLE-PIPE .....	3	63H25	32	TEE-PIPE .....	3	64P39
11	VALVE, Ball.....	2	90AR299	33	NIPPLE-PIPE.....	2	63N12X150
12	TEE-PIPE.....	1	64G8G	34	PLUG-PIPE .....	1	64A5
13	ADAPTOR-HOSE.....	1	29Q9	35	HYDRAULIC HOSE ASSEMBLY.....	3	29R30
14	HYDRAULIC HOSE ASSEMBLY .....	1	2009247	36	CLAMP, Pipe .....	2	98H5
15	PUMP, Rod Wash, (See Page 17)			37	SCREW .....	2	75LM47
	Includes Reference Number 17.....	1	CA122	38	ADAPTOR-HOSE .....	3	29Q83
16	SCREW, Rod Wash Pump to Skid.....	4	75LM51	39	COUPLING-PIPE.....	3	64BK3
17	KEY.....	1	35B4	40	BAFFLE .....	3	1PZ840
18	BUSHING-SHEAVE .....	1	22E16B	41	NUT-ACORN .....	6	50Q30
19	SHEAVE.....	1	73K1A30	42	NIPPLE-PIPE.....	1	63L31
	SHEAVE ASSEMBLY (Items 20 & 21)	1	2012669	43	ELBOW-PIPE .....	1	64C9
20	SHEAVE.....	1	2012521	44	NIPPLE-PIPE.....	1	63AJ32X60
21	SCREW-SET, Sheave.....	2	76F30	*	PLATE, Rod Wash Pump to Skid .....	1	201PZG247
22	BELT .....	1	13C28	*	SCREW, Rod Wash Pump to Skid .....	4	75LM268
* NOT SHOWN							

Order by Part Number and Description. Reference Numbers for your convenience only.

**PISTON ROD WASH PUMP**

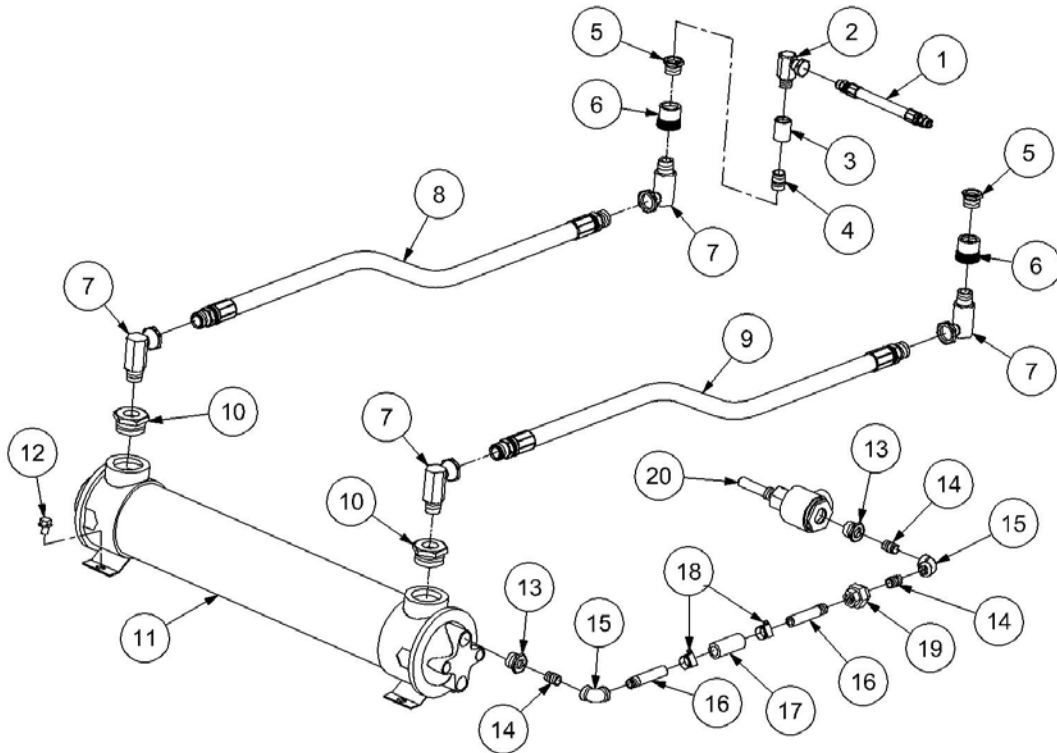


Ref Drawing – 328PZL810

Ref. No.	Name of Part	Qty.	Part No.
	PUMP ASSEMBLY, Includes All Parts Shown	1	CA122
1	HOUSING, Impeller .....	1	C1K2A1
2	PLUG-PIPE.....	2	64AA6
3	COCK, Drain.....	1	90C31
	IMPELLER ASSEMBLY, Includes Items 4, 5 & 6	1	C1K1A1A
4	IMPELLER .....	1	C1K1A1
5	SHAFT .....	1	C1H5C1
6	PIN.....	1	62R140
7	KEY.....	1	35B4
8	PACKING-SEAL .....	1	60BT11
9	GASKET .....	1	25D212
10	FRAME .....	1	C1H4A2
11	SCREW .....	8	75A130
12	BEARING, Inner & Outer That Includes Snap Rings .....	2	12AK3

Order by Part Number and Description. Reference Numbers for your convenience only.

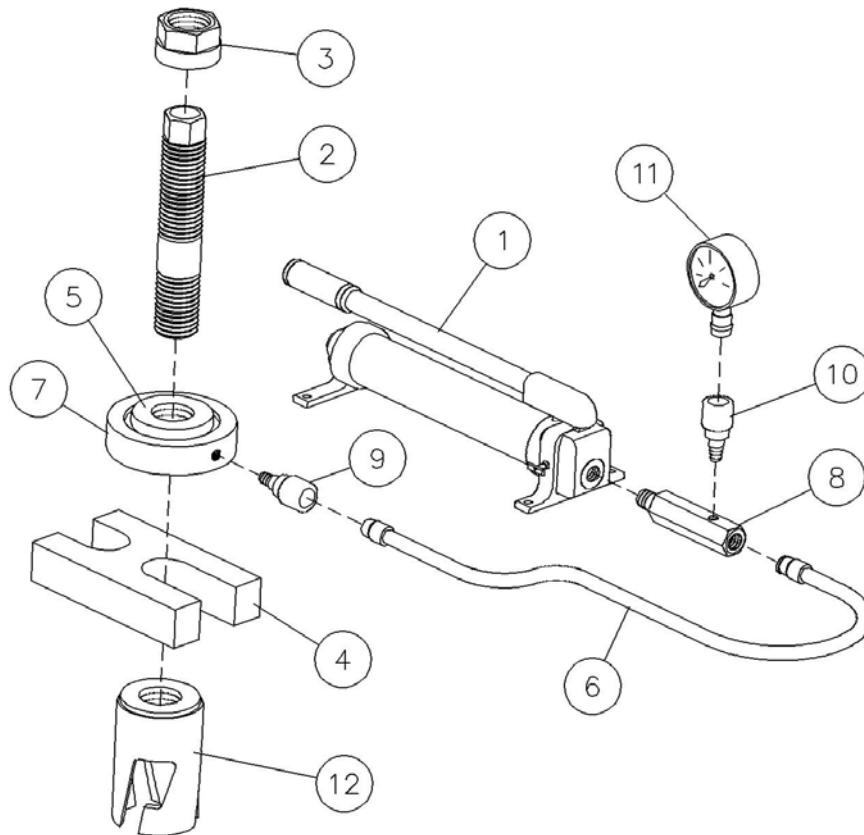
**HEAT EXCHANGER GROUP (Optional)**



Ref Drawing – 302PZG810

Ref No.	Name of Part	Qty.	Part No.
	HEAT EXCHANGER GROUP, Includes All Parts Shown		
1	HYDRAULIC HOSE ASSEMBLY .....	1	29N1
2	ADAPTOR, Hose .....	1	29Q17
3	COUPLING-PIPE.....	1	64BK5
4	NIPPLE-PIPE .....	1	63G1
5	BUSHING-PIPE .....	2	64E16
6	CONNECTOR, Frame .....	2	78AUX113
7	ADAPTOR, Hose .....	4	29Q10
8	HYDRAULIC HOSE ASSEMBLY .....	1	2009270
9	HYDRAULIC HOSE ASSEMBLY .....	1	29Z2
10	BUSHING-PIPE .....	2	64E11
11	HEAT EXCHANGER .....	1	2013457
12	SCREW.....	4	75LM268
13	BUSHING-PIPE .....	2	64E29
14	NIPPLE-PIPE.....	3	63F21
15	ELBOW-PIPE.....	2	64C4
16	NIPPLE-PIPE .....	2	63AJ8X40
17	HOSE, Oil Proof.....	2 FT	R14G
18	CLAMP, Hose .....	2	29B31
19	UNION-PIPE .....	1	64Z3
20	VALVE, Thermostat .....	1	90K165
*	PLUG (zinc), Protective .....	1	2008076

Order by Part Number and Description. Reference Numbers for your convenience only.



Ref Drawing – 316PZG797

**VALVE SEAT PULLER (OPTIONAL)**

Ref No.	Name of Part	Qty.	Part No.
	VALVE SEAT PULLER ASSEMBLY .....	1	100E12
	Includes Items 1 thru 11, plus Carrying Case		
1	JACK, Hydraulic.....	1	2116728
2	STEM, Center .....	1	2117314
3	NUT, Center Stem .....	1	2117315
4	BASE, Puller H Bar .....	1	2116727
5	BUSHING, Center.....	1	2117316
*	BUSHING, Center.....	1	2117317
6	HYDRAULIC HOSE .....	1	2117318
7	PUMP, Hydraulic.....	1	2117319
8	ADAPTOR, Gauge.....	1	2117320
9	COUPLER, Quick .....	1	2117321
10	COUPLER, Gauge.....	1	2117322
11	GUAGE, 170 Ton.....	1	2117323
*	CARRYING CASE .....	1	2117055
	Puller heads are not included with 100E12 assembly.		
12	PULLER HEAD, for Center Guided Valve Seat.....	1	100E13 **
*	PULLER HEAD, for Full Opening Valve Seat.....	1	300PZL219
*	Not Shown		
**	Shown on Drawing		

Order by Part Number and Description. Reference Numbers for your convenience only.

OPTIONAL EQUIPMENT

Name of Part	Qty.	Part No.
BAR, Valve Cover Tightening.....	1	62L62
PIN, Valve Cover Tightening Bar .....	1	2009526
HYDRIL DAMPENER (K20-5000).....	1	186511
HOSE, For Charging HYDRIL Dampener .....	1	200OPA127
TOOL, Piston Rod Nut Removal .....	1	200PZL074
PRESSURE GAUGE GROUP, Includes Next 3 Items:.....	1	PZL75283
GAUGE (0 - 6000 PSI).....	1	27P70
NIPPLE .....	1	63V32X60
ELBOW .....	1	64EB241
PRESSURE RELIEF VALVE GROUP, Includes Next 4 Items: .....	1	PZL75284
PRESSURE RELIEF VALVE, Shear Type (500 to 5000 PSI).....	1	5829653
NIPPLE-PIPE .....	1	63V48X60
ELBOW-PIPE.....	1	64EB242
ELBOW, STREET .....	1	64D14
DISCHARGE BLOCK & BLOCK SUPPORT GROUP, Includes:.....	1	PZJ75285
The 301PZG4067 and PZJ74823 Groups		
DISCHARGE BLOCK GROUP, Includes Next 6 Items: .....	1	301PZG4067
GASKET .....	2	25V24
GASKET .....	2	25V17
FLANGE.....	1	191161
FLANGE.....	1	64EB240
FLANGE.....	1	64EB50
DISCHARGE BLOCK ASSEMBLY, Includes Next 5 Items: .....	1	300PZG4067
DISCHARGE BLOCK .....	1	205PZL231
STUD .....	24	206PZL110
NUT.....	24	50AW11
STUD .....	16	208PZL110
NUT.....	16	50AW13
SUPPORT GROUP ASSEMBLY, Includes Next 3 Items:.....	2	PZJ74823
BASE.....	1	195100
BASE.....	2	5015475
SUPPORT (Includes the next four items) .....	2	201845T2
SCREW.....	2	201853
NUT .....	2	50W12
PIN .....	2	62R98
NIPPLE .....	1	201846
SCREW.....	1	655EJ200

## GARDNER DENVER PUMP UNIT RECORD

The following unit identification plate is provided as a convenience to you, our valued Gardner Denver customer. Please take the time to copy all the information from the actual nameplate on your unit. The model number, date manufactured and serial number will be required when contacting the company or your distributor for information or replacement parts.

DANGER-READ INSTRUCTION MANUAL BEFORE MOVING OR OPERATING UNIT						
MODEL	<input style="width: 90%;" type="text"/>	DATE MFG	<input style="width: 90%;" type="text"/>	SERIAL NO.	<input style="width: 95%;" type="text"/>	
ID NO.	<input style="width: 90%;" type="text"/>	MAX TEMP	<input style="width: 90%;" type="text"/>	C/CASE OIL CAP. GAL	<input style="width: 95%;" type="text"/>	
SERVICE	RATED MAX INPUT BHP	RATED MAX INPUT RPM	RATED MAX PUMP RPM	DISCHARGE MAX PSI W.P. OF FLUID CYL.	SUCTION MAX PSI W.P. OF FLUID CYL.	MAX INPUT RPM AT MAX PRESSURE
CONTINUOUS	<input style="width: 90%;" type="text"/>	<input style="width: 90%;" type="text"/>	<input style="width: 90%;" type="text"/>	<input style="width: 90%;" type="text"/>	<input style="width: 90%;" type="text"/>	<input style="width: 90%;" type="text"/>
INTERMITTENT	<input style="width: 90%;" type="text"/>	<input style="width: 90%;" type="text"/>	<input style="width: 90%;" type="text"/>	<input style="width: 90%;" type="text"/>	<input style="width: 90%;" type="text"/>	<input style="width: 90%;" type="text"/>
DISPLACEMENT & PRESSURE AT RATED RPM, SEE O-M MANUAL FOR ADDITIONAL SPECIFICATIONS						
SIZE	<input style="width: 90%;" type="text"/>	<input style="width: 90%;" type="text"/>	<input style="width: 90%;" type="text"/>	<input style="width: 90%;" type="text"/>	<input style="width: 90%;" type="text"/>	<input style="width: 90%;" type="text"/>
GPM	<input style="width: 90%;" type="text"/>	<input style="width: 90%;" type="text"/>	<input style="width: 90%;" type="text"/>	<input style="width: 90%;" type="text"/>	<input style="width: 90%;" type="text"/>	<input style="width: 90%;" type="text"/>
PSI	<input style="width: 90%;" type="text"/>	<input style="width: 90%;" type="text"/>	<input style="width: 90%;" type="text"/>	<input style="width: 90%;" type="text"/>	<input style="width: 90%;" type="text"/>	<input style="width: 90%;" type="text"/>
INTERMITTENT DUTY MAXIMUM PRESSURE, SEE O-M MANUAL FOR ADDITIONAL SPECIFICATIONS						
PSI	<input style="width: 90%;" type="text"/>	<input style="width: 90%;" type="text"/>	<input style="width: 90%;" type="text"/>	<input style="width: 90%;" type="text"/>	<input style="width: 90%;" type="text"/>	<input style="width: 90%;" type="text"/>
<b>Gardner Denver</b>			PURCHASER ID NO.		<input style="width: 95%;" type="text"/>	
2000PA496	Gardner Denver, Inc. Quincy, Illinois		MADE IN USA			
GIVE MODEL, ID NO. AND SERIAL NO. WHEN ORDERING REPAIR PARTS OR SERVICE						

Ref. Drawing – 2000PA496

# **Gardner** --- **Denver**

## 北京

信德迈科技(北京)有限公司CNMEC Technology  
北京朝阳区胜古中路2号金基业大厦201室  
邮编：100029  
电话：010-8428 2935 13910962635  
传真：010-8428 8762  
主页：[//www.cnmec.biz](http://www.cnmec.biz)  
电子邮件：[sales@cnmec.biz](mailto:sales@cnmec.biz)

## 西安

西安嘉岳自动化技术有限公司Garye Automation  
地址：西安经开区凤城二路天地时代广场B座23层22312室  
邮编：710016  
电话：029 - 8610 8648 15319759129  
传真：029 - 8610 6806  
主页：<http://www.garye.cn>  
电子邮件：[sales@garye.cn](mailto:sales@garye.cn)

For additional information contact your local distributor or



Gardner Denver - Fluid Transfer Division,  
1800 Gardner Expressway, Quincy, Illinois 62301  
Customer Service Department Telephone:  
(800) 682-9868 FAX: (217) 223-1581

For Domestic parts information Contact:  
Gardner Denver – Fluid Transfer Division,  
2200 South Prospect, Oklahoma City, OK. 73129  
Telephone: (405) 677-5736 FAX: (405) 677-5807